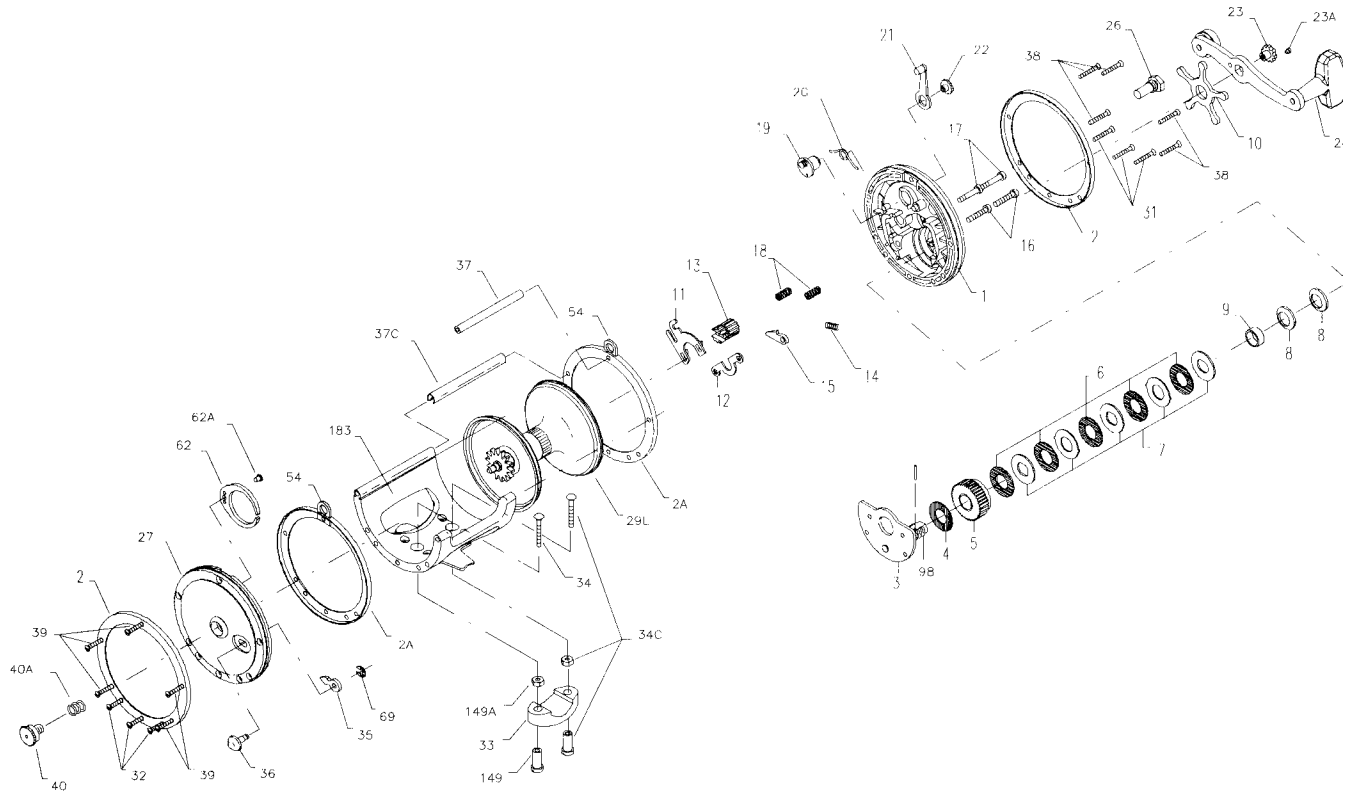




PARTS AND PRICE LIST FOR MODEL 113



Key No.	Part No.	Description	Price	Key No.	Part No.	Description	Price
1	001 113	Right Side Plate	\$6.50	24	024 066	Handle	\$7.60
2	002 113O	Outer Ring (2 req.)	5.20	26	026 060	R.S. Bearing	2.05
2A	002 113I	Inner Ring (2 req.)	5.20	27	027 113	Left Side Plate	6.50
3	003 113	Bridge w/Sleeve	8.25	29	029L113	Spool	30.00
4	004 060	Fiber Washer	.45	30	030 113	Stand	7.45
5	005 066	Main Gear	5.00	31	032 017	R.S. Stand Screw (3 req.)	.40
6	006 113	Drag Washer (3 req.)	1.05	32	039 009	L.S. Stand Screw (3 req.)	.40
7	007C060	Metal Drag Washer Set	2.50	33	033 113	Rod Clamp	4.00
8	008 060	Tension Spring (2 req.)	.50	*	*033R200	Ringed Rod Clamp (Optional)	6.25
9	009 066	Spacing Sleeve	1.10	34	034 045	Clamp Screw (2 req.)	1.00
10	010 066	Star Drag Wheel	3.50	34C	034C045	Rod Clamp Screw w/Nuts	2.50
11	011 113	Eccentric Jack	1.60	35	035 060	Click Tongue	1.15
12	012 113	Pinion Yoke	1.25	36	036 113	Click Button	1.25
13	013 113	Pinion	3.55	37	037 113	Frame Post (5 req.)	2.00
14	014 099	Dog Spring	.45	38	039 009	R.S. Screw (5 req.)	.40
15	015 099	Dog	.90	39	039 009	L.S. Screw (5 req.)	.40
16	016 060CH	Lower Bridge Screw (2 req.)	.45	40	040 060	L.S. Bearing	2.50
17	017 060CH	Upper Bridge Screw (2 req.)	.45	41	041 060	L.S. Bearing Spring	.80
18	018 060	Clutch Spring (2 req.)	.45	54	054 113	Harness Lug (2 req.)	1.70
19	019 113	Eccentric	2.25	62	062 309	Click Spring	1.70
20	020 155	Eccentric Spring	.45	62A	062 209	Click Spring Screw	.50
21	021 066	Eccentric Lever	1.75	69	069B600	Retaining Ring	.90
22	022 099	Eccentric Screw	1.50	98	098 060	Gear Sleeve	4.00
23	023 060	Handle Screw	1.75	149	149 045	Rod Clamp Nut (2 req.)	1.00
23A	110 060	Handle Lock Screw	.45	149A	149 200	Hex Nut (2 req.)	.50